

SX60L 3.0

Thermal Scope



HIKMICRO STELLAR SX60L 3.0 Thermal Scope is equipped with a 1280×1024 @12μm thermal detector, with much higher sensitivity (NETD < 18mK) and the latest image processing algorithm (Image Pro 2.0), ensuring users catch the finest details no matter the weather or light conditions without interruption. With a 2560×2560 1.03" AMOLED larger display, SX60L 3.0 makes it easier to spot targets quickly and accurately. The built-in lens 1000m LRF and ballistic calculation contribute to more accurate shooting. The scope is mainly used for field and forest hunting.

Key Feature

- 1280 x 1024 resolution @12 μm thermal detector
- High sensitivity thermal module NETD<18 mK (@25°C, F# = 1.0)
- 60 mm, F1.0 lens with detection range up to 3100 m
- 2560 × 2560 resolution 1.03-inch OLED display
- Built-in lens laser rangefinder up to 1000 m, with ballistic calculation
- Rechargeable internal batteries and external battery, 10h continuous operation
- High shock resistance up to 1000 g/0.4 ms

Specification

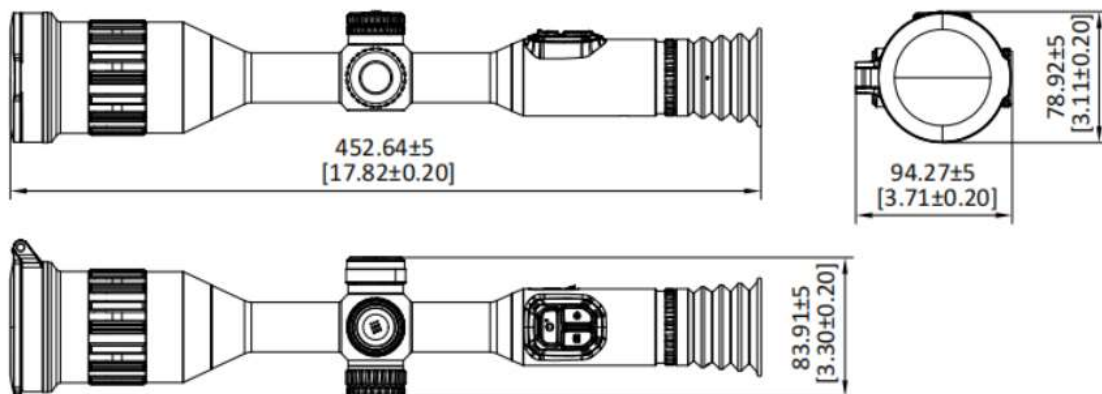
Thermal Module	
Image Sensor	VOx Uncooled Focal Plane Arrays
Max. Resolution	1280 × 1024
Frame Rate	25 Hz
Pixel Interval	12 μm
Response Waveband	8 μm to 14 μm
NETD	Less than 18 mK (@25°C, F# = 1.0)
Lens (Focal Length)	60 mm, F1.0
Focus Mode	Focus Ring
Detection Range	3100 m
Min. Focusing Distance	6 m
Magnification	2.5×-28.5× Support 1× step value of continuous zooming
Field of View(H×V), Degrees / m @100 m	14.6°×11.7°/25.6m×20.5m
Image Display	
Display	2560 × 2560, 1.03-inch OLED
Palettes	Black Hot, White Hot, Red Hot, Fusion, Red Monochrome, Green Monochrome
FFC (Flat Field Correction) Mode	Auto, Manual, External Correction
Exit Pupil	6 mm
Eye Relief	45 mm
Diopter (Range)	-5D to 3D
Brightness Adjustment	Yes
Tone Adjustment	Cold, Warm
Contrast Adjustment	Yes
Image Pro 2.0	Yes
System	
Record Video	On-board Video Recording
Capture Snapshot	Yes
Audio Recording	Yes
Recoil-activation Recording	Yes
Standby Mode	Yes
Storage	Built-in EMMC (64 GB)
PIP	Yes
Hotspot	Yes
Hot Track	Yes
Distance Measurement	Yes
Zeroing Profiles	5
Max. Recoil	1000 g/0.4 ms

Freeze Zeroing	Yes
Local Album	Yes
Power Supply	
Battery Type	Two rechargeable Lithium batteries (internal), one replaceable and rechargeable 18650 battery (external)
Battery Operating Time	10 hours continuous running (@-20°C, LRF on)
Type-C Power Supply	5 V DC/2 A, USB Type-C interface Supports QC3.0
General	
Mounting	Standard 30 mm
Protection Level	IP67
Dimension	452.6mm x 94.3mm x78.9mm
Weight	1000g without external battery
Working Temperature	-30°C to 55°C (-22°F to 131°F)
Center Height	41mm
Laser Rangefinder	
LRF Module in Lens	Yes
Safety Class for Laser	Class 1
Wavelength	905 nm
Max. Measuring Range	1000 m
Measurement Accuracy	±1 m
Min. Measuring Range	10 m

• Available Model

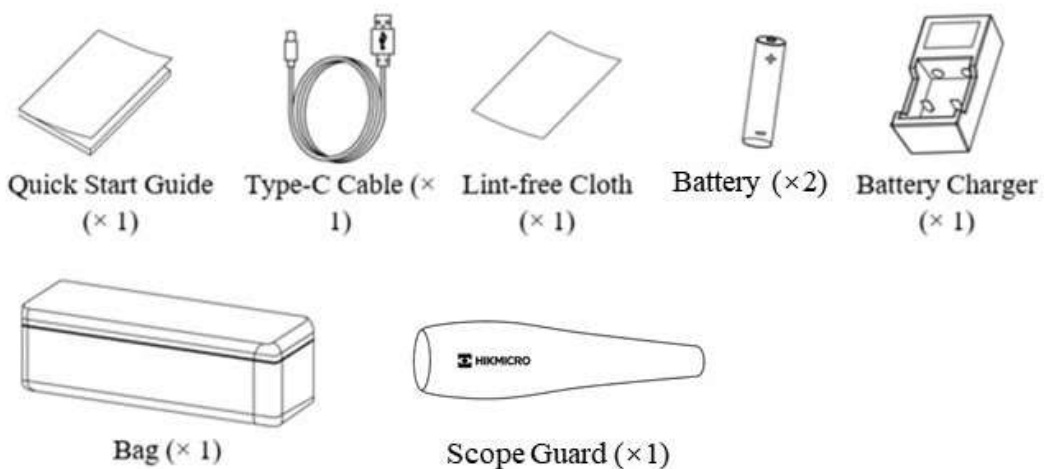
SX60L 3.0

• Dimension



Unit: mm[inch]

• Accessories



COMPLIANCE NOTICE: The thermal series products might be subject to export controls in various countries or regions, including without limitation, the United States, European Union, United Kingdom and/or other member countries of the Wassenaar Arrangement. Please consult your professional legal or compliance expert or local government authorities for any necessary export license requirements if you intend to transfer, export, re-export the thermal series products between different countries.



HIKMICRO SIGHT



Hikmicro Hunting Global HIKMICRO Outdoor www.hikmicrotech.com hikmicro hunting.global HIKMICRO info@hikmicrotech.com

Room 313, Unit B, Building 2, 399 Danfeng Road, Xixing Subdistrict, Binjiang District, Hangzhou, Zhejiang
© Hangzhou Microimage Software Co., Ltd. All rights reserved. | Data subject to change without notice!